

Decorative Chimney Top

Installation Instructions

Warning!! Do not use decorative chimney tops on any Pre-engineered or prefabricated fireplace/chimney system (sometimes referred to as zero-clearance fireplaces). Improper installation of these products in conjunction with these various metal flue systems could result in fire and/or carbon monoxide buildup resulting in property damage and/or death.

Chimney Inspection

Decorative chimney tops are designed to complement new or existing masonry chimneys. To ensure a durable and maintenance free installation of chimney tops, the chimney cap and existing brick should be inspected to insure for proper construction and maintenance.

Chimney Cap Inspection

Before installing a decorative chimney top, inspect the chimney cap. The chimney cap is the cement covering surrounding the flue liner that terminates the brick and prevents water infiltration into a masonry chimney. This cap can be poured in place or pre-casted but, should not physically touch the flue liner. Be sure to correct any problems before installing a chimney top.

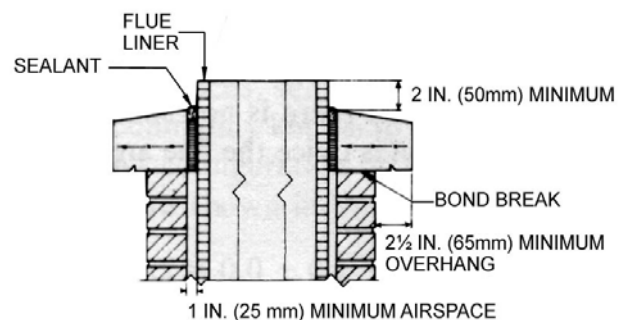
Inspection Points

- ◆ Ensure that the cap overhangs the chase by at least 2 inches.
- ◆ Check the underside of the chimney cap where it extends beyond the brick for a proper drip edge. This prevents water from siphoning into the brick work.
- ◆ Check the chimney cap for cracks or water penetration. Seal any problems with a quality silicone caulk or if necessary install a new cap.
- ◆ Check the 1 inch space between the chimney cap and flue. The chimney cap should not contact the flue liner. The 1 inch space between the flue and the chimney cap should be sealed with a quality silicone caulk.
- ◆ Ensure that the cap slopes away from the flue liner to shed water.

Chimney Top Installation

- ◆ Cut the protruding portion of the flue liner flush or not more than 2 inches above the chimney cap.
- ◆ Place the decorative top over the flue liner so the base rests securely on the chimney cap (not the flue). The flue liner may telescope slightly into the base of the decorative top. The flue liner must not prevent the decorative top from resting firmly on the chimney cap.
- ◆ Center the decorative top over the flue liner and mortar securely to the chimney cap.
- ◆ Be sure to make any chimney top installation conform with all local building codes.

*If your chimney top is manufactured in sections, use *Exterior Liquid Nails* or a silicone caulk to install the sections.



CHIMNEY CAP DETAIL

Sandkuhl Clay Works, Inc.

05536 Kossuth-Amanda Road

Spencerville, OH 45887

419-657-2905