

Create your own backyard kitchen

TOSCANA Wood Fired Pizza Oven



*Shown with optional
wood storage and door

MASON-LITE

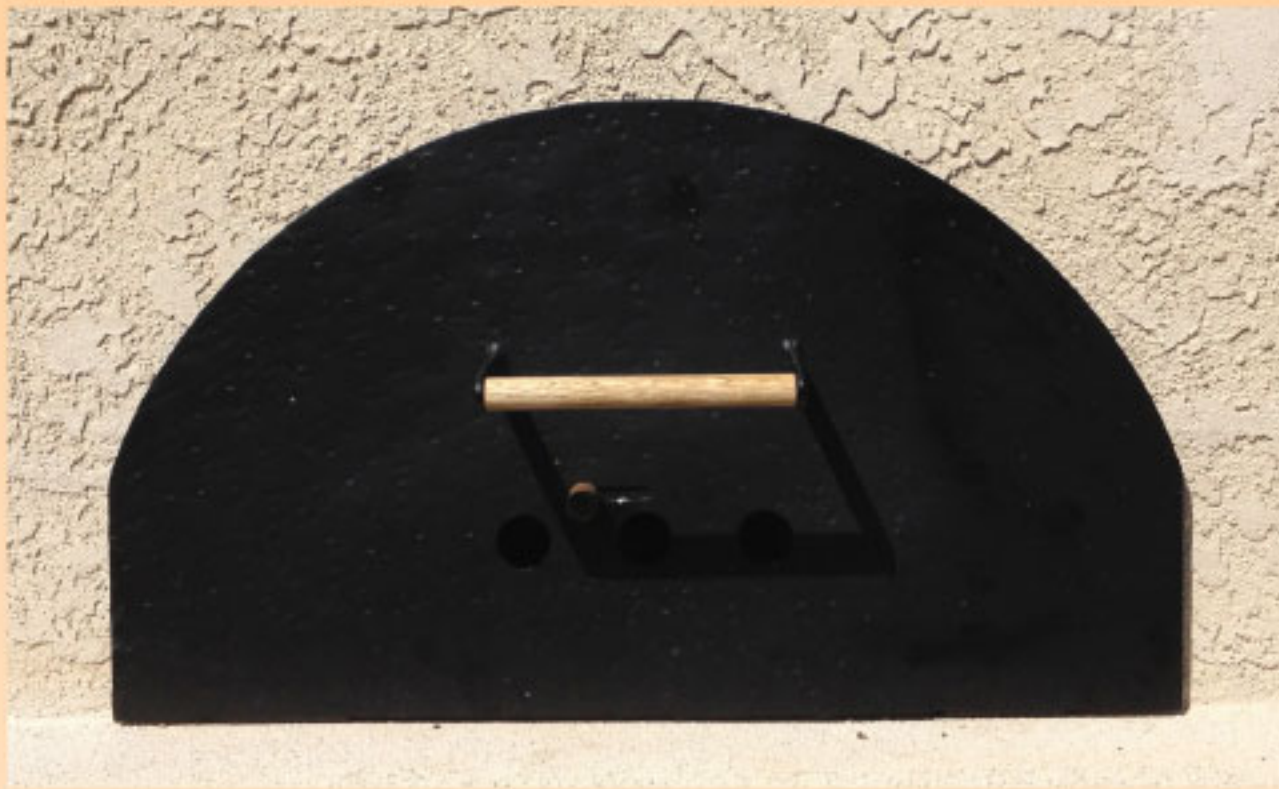
by MFI • Masonry Fireplace Industries, LLC

Modular Pre-Cast Fireplace Systems

TOSCANA Wood Fired Pizza Oven

The perfect addition to your own outdoor kitchen. The long awaited Mason-Lite Toscana Wood Fired Pizza Oven brings ease to both the installation and operation of an outdoor masonry pizza oven. The Toscana Pizza Oven will give you the ability to cook your own mouth-watering custom pizzas from the privacy of your own backyard.

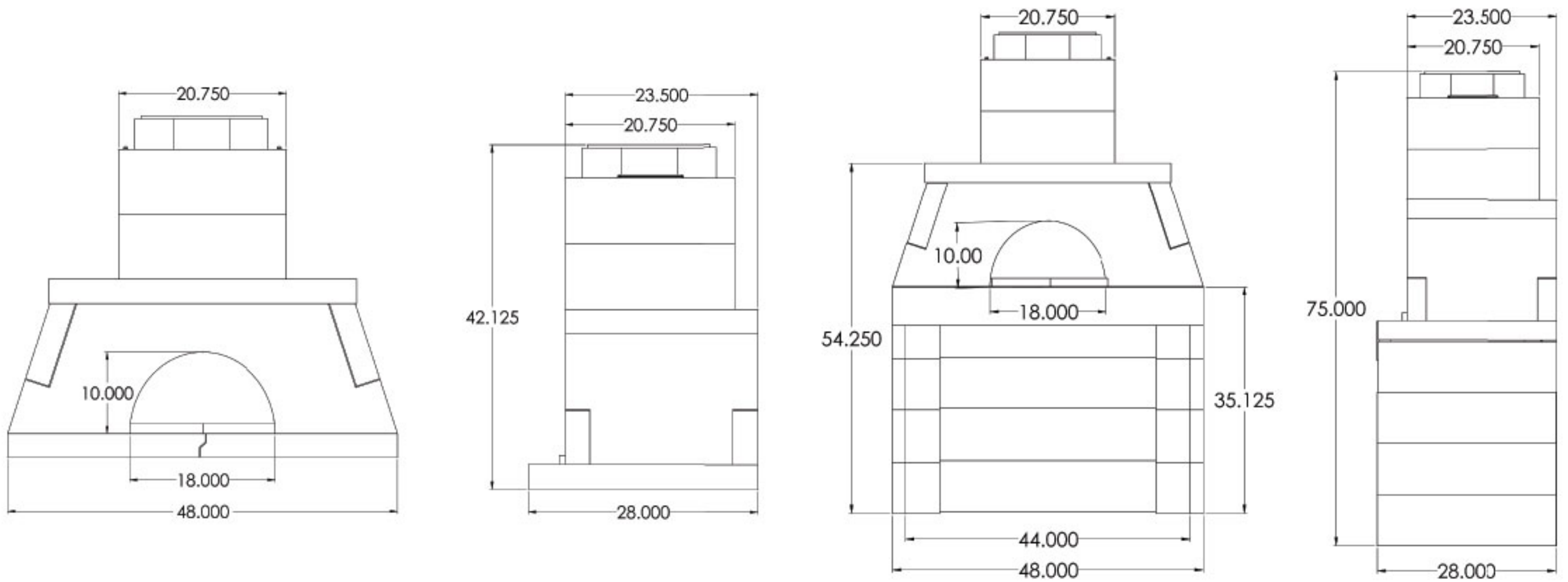
Mason-Lite is a company built on helping homeowners realize their dream of installing true masonry hearth products, without the cost and complexity of traditional masonry construction. Our latest product: the Toscana Wood Fired Pizza Oven continues this tradition as a prefabricated, refractory modular wood fired oven designed for field assembly. The system consists of interlocking precast components which adhere together with masonry mortar.



*Optional Powder Coated Steel Door

The pizza oven can be finished to owners preference: stucco (shown left), rock, tile, brick, etc.

Important: Due to the heat and weight issues, the Toscana Wood Fired Oven, Table Top version installation requires a non-combustible base with no wood underpinings, prepare custom base to handle the Toscana Oven 684 lbs. with optional base support weight 580 lbs. for a total of 1264 lbs.



*shown with optional wood storage

MASON-LITE
by MFI • Masonry Fireplace Industries, LLC

Modular Pre-Cast Fireplace Systems

315 W. Third Street. Santa Ana, CA 92701

Tel: 800.345.7078 Fax: 714.972.4599

Email: info@Mason-Lite.com

www.Mason-Lite.com

U.S. factory built & code compliant



www.Twitter.com/MasonLiteFire



www.Facebook.com/MasonLite



www.YouTube.com/MasonLiteFireplaces